

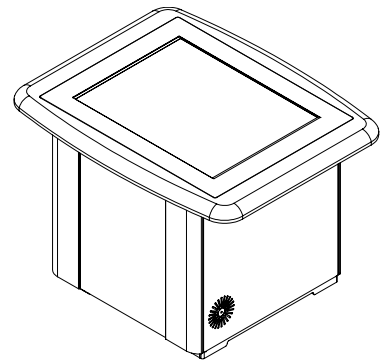
Specifications

SMART Table

Model 230i

Physical Specifications

Size	35 7/8" W × 25 1/2" H × 28 7/8" D (91.1 cm × 64.8 cm × 73.3 cm)
Active Screen Area	22" W × 16 1/2" H (55.9 cm × 41.9 cm) 27 1/2" diagonal (69.9 cm) 4:3 aspect ratio
Weight	150 lb. (68.2 kg)
Shipping Weight	200 lb. (90.9 kg)
Shipping Size	35" W × 30" H × 40" D (88.9 cm × 76.2 cm × 101.6 cm)



All dimensions +/- 1/8" (0.3 cm). All weights +/- 2 lb. (0.9 kg)

Standard Features

Software	Integrated SMART Table software, which can be customized using the toolkit (page 2)
Display Technology	
Projector	<ul style="list-style-type: none">• 1.4 cm DLP® system• XGA short throw lens• 1800:1 contrast ratio• 2300 lumens• 2000 hour bulb life
Minimum Viewing Angle	15% brightness at 12° from horizontal
Touch Technology	Multitouch technology based on DVIT™ (Digital Vision Touch) technology, which uses a digital camera to track touches on the display surface
Audio	Integrated speakers
Power Consumption	Up to 500 W
Warranty	Two-year limited equipment warranty. See warranty document for details.

- Installation Notes**
- The SMART Table 230i is a stand-alone product without network support.
 - The SMART Table 230i is provided with locking doors and fully locking castors for portability.

SMART Table Toolkit Software Specifications

About the Toolkit The SMART Table toolkit is software that you can install on a Windows® or Mac computer and use to create or import activity packs and applications. You can then transfer these activity packs and applications from the computer to your SMART Table using the provided USB storage device bracelet (or another USB storage device).

Windows Computers

Minimum hardware:

- Intel® Pentium® III 1 GHz or faster processor
- 512 MB RAM
- USB 2.0 receptacle

Supported operating systems:

- Windows Vista® Home Premium, Business, Enterprise or Ultimate including 64 bit editions
- Windows Vista SP1
- Windows XP SP2 and SP3
- Windows XP Tablet PC Edition SP2 and SP3
- Windows 2000 SP4
- Windows Server® 2003

Other requirements:

- Administrator privileges
- Internet access
- Up-to-date antivirus utility

Mac Computers

Hardware:

- Intel Core Duo 1.83 GHz or faster processor
- PowerPC® G4 1 GHz or faster processor
- 512 MB RAM
- USB 2.0 receptacle

Supported operating systems:

- Mac OS X 10.5.4 and 10.5.5

Other requirements:

- Administrator privileges
- Internet access
- Up-to-date antivirus utility

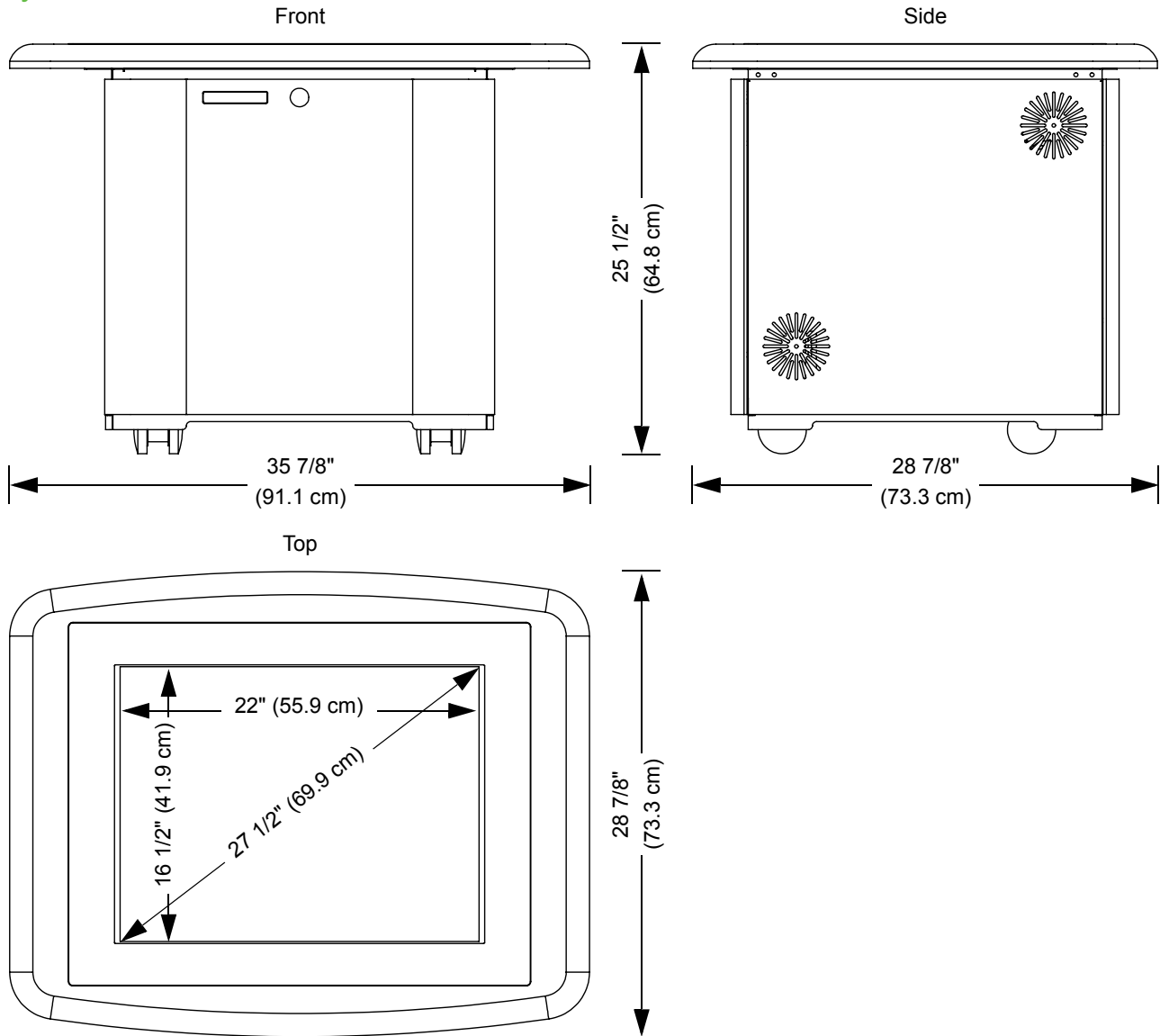
Storage and Operating Specifications

Storage	14°F to 95°F (-10°C to 35°C)
Operation	41°F to 95°F (5°C to 35°C) with up to 80% humidity non-condensing

SMART Order Number

ST230i SMART Table 230i

Physical Dimensions



www.smarttech.com/support www.smarttech.com/contactsupport
Support +1.403.228.5940 or Toll Free 1.866.518.6791 (U.S./Canada)



©2009 SMART Technologies ULC. All rights reserved. DVIT, the SMART logo and smarttech are trademarks or registered trademarks of SMART Technologies ULC in the U.S. and/or other countries. Windows, Windows Server and Windows Vista are either registered trademarks or trademarks of Microsoft Corporation in the U.S. and/or other countries. Mac is a registered trademark of Apple Inc. Intel is a registered trademark of Intel Corporation or its subsidiaries in the U.S. and other countries. All other third-party product and company names may be trademarks of their respective owners. Patent No. US6141000; US6741267; US7151533; and CA2058219. Other patents pending. Contents are subject to change without notice. 02/2009.